

A product from

Wennstrom
Environment Safeguard



Site

Ventilation solutions

SITE products

- Dispensers
- Filling elbows
- Flame arresters
- Gauges
- Refuelling sites
- Security solutions
- System solutions
- Valves
- Vapour recovery adaptors
- Ventilation solutions
- Other products

Ventilation cover

When filling up or making a delivery from a ground tank, the ventilation pipe will allow it to breathe. At the same time, the pipe makes the tank accessible for unwanted dirt and water.

Limiting the access of water and dirt in a ground tank decreases the risk of contamination and degradation of the product.

Water and unwanted particles

The ventilation cover, available in two sizes, DN50 (2") and DN80 (3"), decreases:

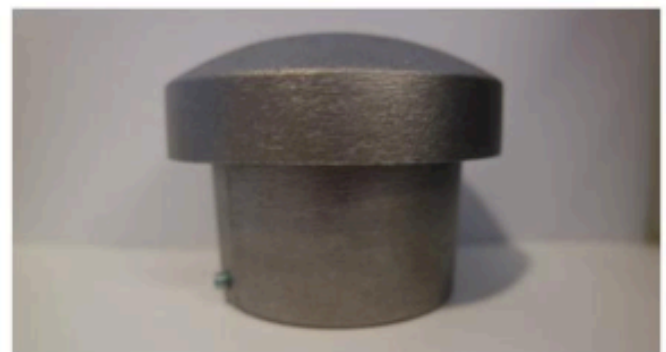
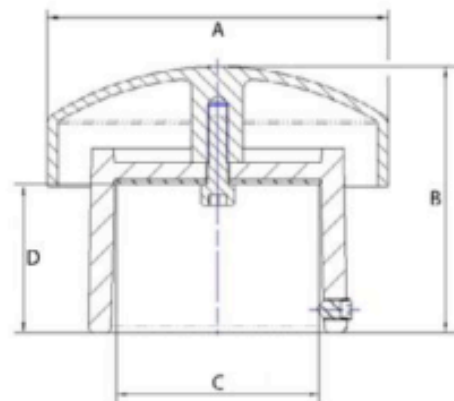
- intrusion of rain into the tank
- intrusion of insects and larger particles into the tank due to the insect mesh.

For a top-of-the-line air filtering product (down to 3 microns) that also dries all air going into the ground tank, take a look at Torkel® by Wennstrom.

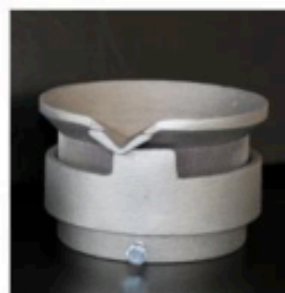
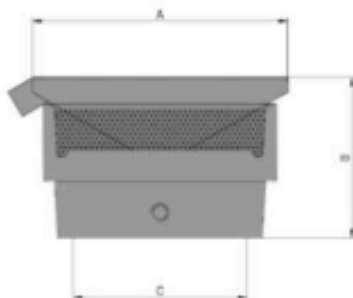
Environment Safeguard

The ventilation cover is part of "Environment Safeguard", our system for increased safety and security at the filling, dipping and ventilation point of fuel tanks.

ES1060L



ES1080L



Technical data

Item number:	ES1060L	ES1080L
Measurements A:	ø 100 mm	ø 120 mm
Measurements B:	78,0 mm	75,0 mm
Measurements C:	DN50	DN80
Measurements D:	43,5 mm	-
Weight:	0,25 kg	0,45 kg
Material:	Aluminium (EN AC-44200)	Al (EN AC-44200)

Versions of the ventilation cover	Item no.
Ventilation cover DN50, 2"	ES1060L
Ventilation cover DN80, 3"	ES1080L