

125-2002 Filling elbow DN100



1. General

Different countries have different solutions for filling the underground storage tanks (UST) at service stations. In northern Europe it is common practice to use filling elbows normally mounted in a special environmental box.

The elbow moves the opening up from ground level which is required during the harsh winters when snow and ice will make an opening at or below ground level difficult to access. It also prevents water from getting into the tank.

This aluminium elbow is very compact to install and suitable for retrofits where space is limited. It can be ordered chromed to withstand E85.

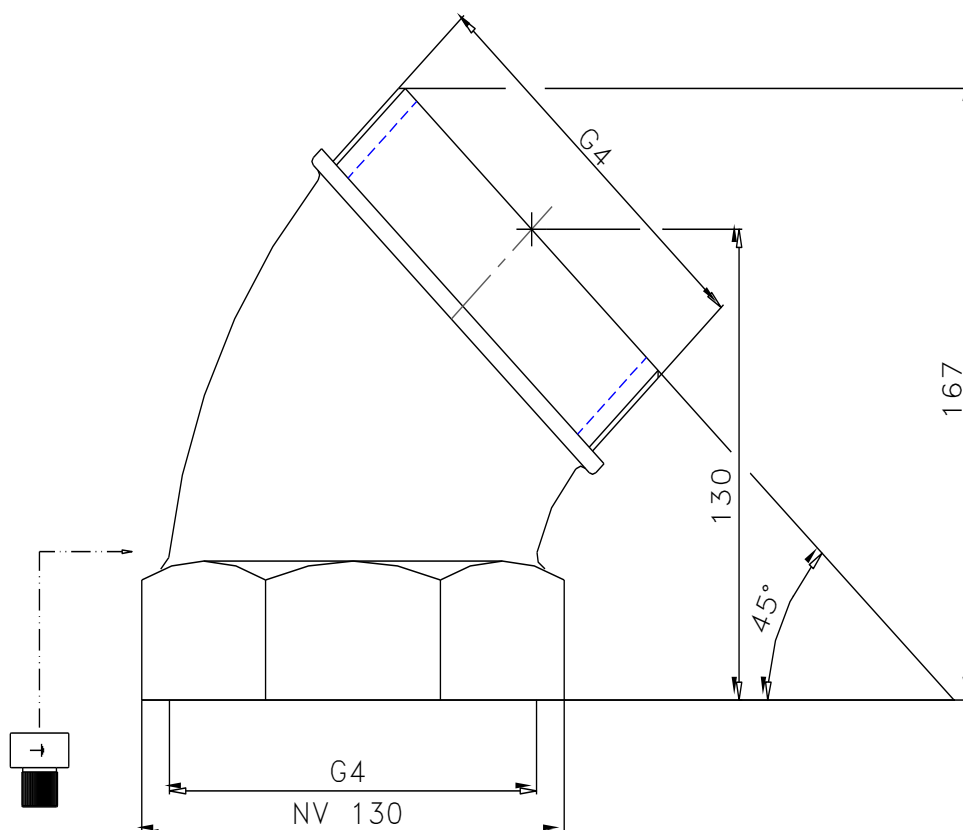
Item no.	For E85
125-2002	No
125-2002E	Yes

2. Installation

The elbow must be mounted professionally. The wrench grip simplifies the installation

Always apply normal best practice and the customer's internal installation regulations.

3. Dimensioner och material



Material	Aluminium SS4253-04
Height	167 mm
Angle	45°
Connections	Female G4/ male G4
Weight	0.75 kg
Earth Clamp	10mm ²